

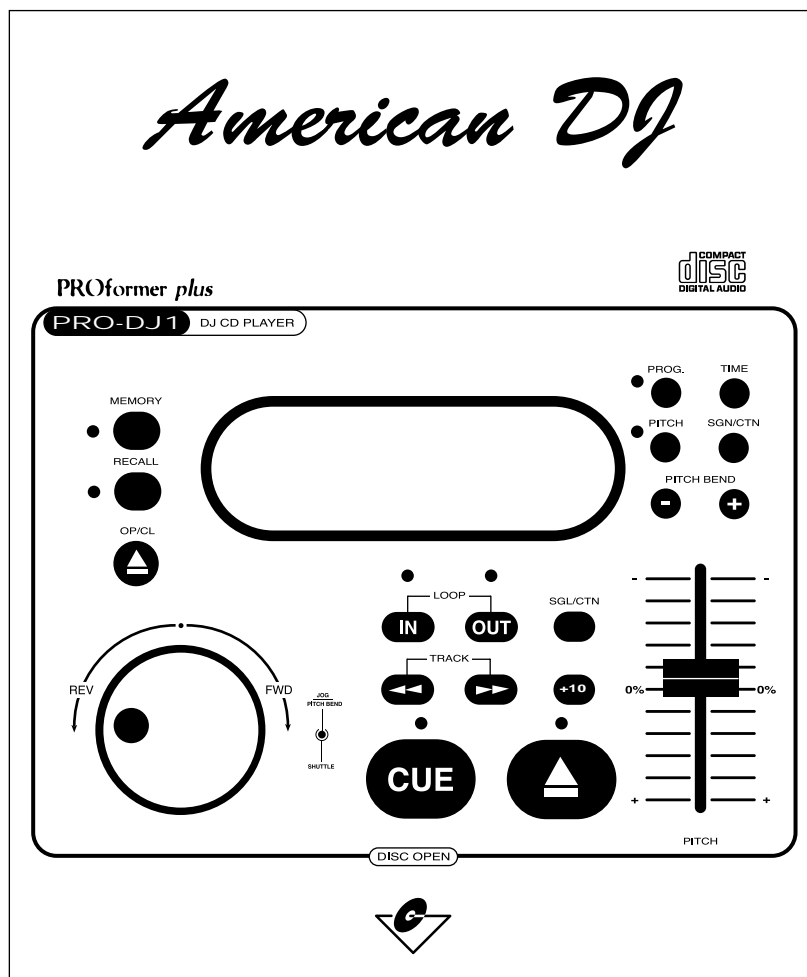
American DJ **AUDIO**

PRO-DJ1

Front load professional single CD player

Featuring:
Fader "Q" Start,
Flip Flop and Digital Output

American DJ



PROformer plus

© American DJ® AUDIO Los Angeles, CA 90058 USA

IMPORTANT SAFETY ITEMS FOR U.S.A. & CANADA MODEL ONLY

WARNING:

TO PREVENT FIRE OR SHOCK HAZARD, DO NOT EXPOSE THIS CD PLAYER TO WATER OR MOISTURE.

CAUTION:

1. Handle the power supply cord carefully. Do not damage or deform; it may cause electric shock or malfunction when used. Hold plug attachment when removing from wall outlet. Do not pull on the cord.
2. To avoid electric shock, do not open the top cover when the unit is plugged in. If problems occur with the unit, call your local American DJ AUDIO dealer.
3. Do not place metal objects or spill liquid inside the CD player. Electric shock or malfunction may occur.

Please record and retain the model name and serial number from your rating label. for future reference

Model No. _____

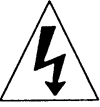
Serial No. _____

CAUTION

Do not open - risk of electric shock




CAUTION: TO REDUCE THE RISK OF ELECTRIC SHOCK, DO NOT REMOVE THE COVER RACK. THERE ARE NO USER SERVICEABLE PARTS INSIDE. REFER SERVICE TO YOUR AUTHORIZED AMERICAN DJ AUDIO DEALER.



The lightning flash with an arrow triangular symbol is intended to alert the user to the presence of uninsulated "dangerous voltage" within the products enclosure, and may be of sufficient magnitude to constitute a risk of electric shock.



The exclamation point triangular symbol is intended to alert the user to the presence of important operating and maintenance (servicing) instructions in the user manual accompanying the CD player.

NOTE:

This CD player uses a semiconductor laser. It is recommended for use in a room at the following temperature: 41°F - 95°F / 5°C - 35°C

CAUTION

TO PREVENT ELECTRIC SHOCK DO NOT USE THIS (POLARIZED) PLUG WITH AN EXTENSION CORD, RECEPTACLE OR OTHER OUTLET UNLESS THE BLADES CAN BE CAREFULLY INSERTED TO PREVENT BLADE EXPOSURE.

CAUTION:

USE OF CONTROLS OR ADJUSTMENTS OTHER THAN THOSE SPECIFIED HEREIN MAY RESULT IN HAZARDOUS RADIATION EXPOSURE.

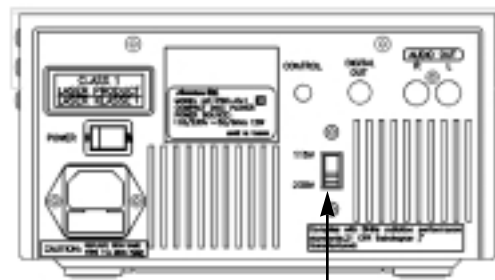
THE COMPACT DISC PLAYER SHOULD NOT BE ADJUSTED OR REPAIRED BY ANYONE EXCEPT PROPERLY QUALIFIED SERVICE PERSONNEL.

NOTE:

This unit may cause interference to radio and television reception.

Line Voltage Selection (for multiple voltage model only)

- The desired voltage may be set with the VOLTAGE SELECTOR switch on the rear panel (using a flat head screw driver).
- Do not force the VOLTAGE SELECTOR switch as this may cause damage.
- If the VOLTAGE SELECTOR switch does not move smoothly, please contact a qualified service technician.



VOLTAGE SELECTOR switch

SAFETY INSTRUCTIONS

1. Read Instructions - All the safety and operating instructions should be read before the appliance is operated.
2. Save Instructions - The safety and operating instructions should be saved for future reference.
3. Heed Warnings - All warnings on the appliance and in the operating instructions should be adhered to.
4. Follow Instructions - All operating and user instructions should be followed.
5. Water and Moisture - The appliance should not be used near water - for example, near a bath tub, washbowl, kitchen sink, laundry tub, in a wet basement or near a swimming pool, etc.
6. Ventilation - The appliance should be situated so that its location or position does not interfere with its proper ventilation. For example, the appliance should not be situated on a bed, sofa, rug, or similar surface that may block the ventilation openings; or, placed in a built-in installation, such as a bookcase or cabinet that may impede the flow of air through the ventilation openings.
7. Heat - The appliance should be situated away from heat sources such as radiators, heat registers, stoves, or other appliances (including amplifiers) that produce heat.
8. Power Sources - The appliance should be connected to a power supply only of the type described in the operating instructions or as marked on the appliance.
9. Grounding or Polarization - Precautions should be taken so that the grounding or polarization means of an appliance is not defeated.
10. Power-Cord Protection - Power-supply cords should be routed so that they are not likely to be walked on or pinched by items placed upon or against them, paying particular attention to cords at plugs, convenience receptacles, and the point where they exit from the appliance.
11. Cleaning - The appliance should be cleaned only as recommended by the manufacturer.
12. Non-use Periods - The power cord of the appliance should be unplugged from the outlet when left unused for a long period of time.
13. Object and Liquid Entry - Care should be taken so that objects do not fall and liquids are not spilled into the enclosure through openings.
14. Damage Requiring Service - The appliance should be serviced by qualified service personnel when:
 - A. The power-supply cord or the plug has been damaged.
 - B. Objects have fallen, or liquid has been spilled into the appliance.
 - C. The appliance has been exposed to rain or water.
 - D. The appliance does not appear to operate normally or exhibits a marked change in performance.
 - E. The appliance has been dropped, or the enclosure damaged.
15. Servicing - The user should not attempt to service the appliance beyond that described in the operating instructions. All other servicing should be referred to qualified service personnel.

PRO DJ 1
Control Layout

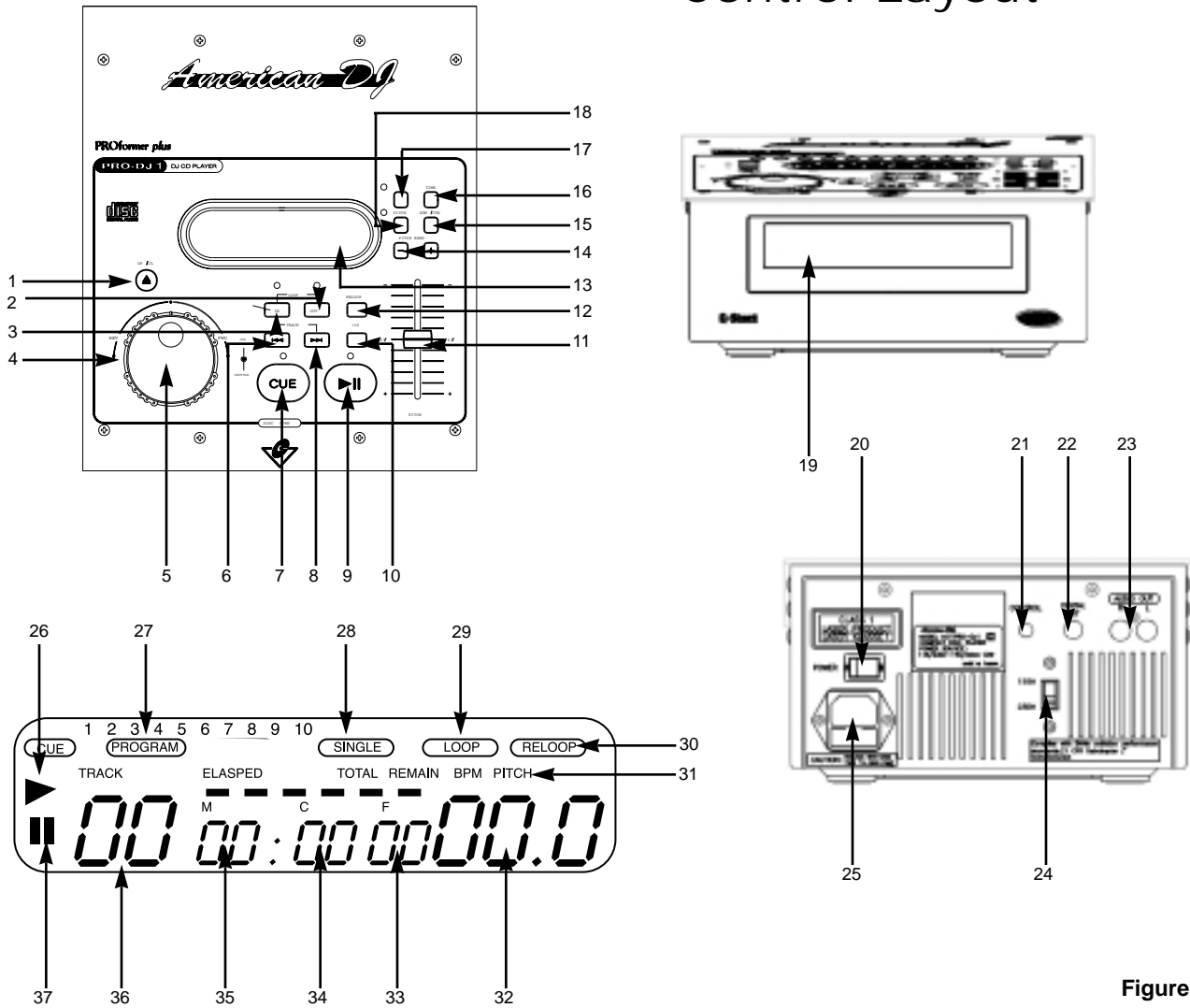


Figure 1

1. **OPEN/CLOSE** - (Disc Tray Open/Close)- Press to load or eject the disc. Each press will open or close the disc tray on the transport. NOTE: Tray will not open unless the disc has been paused.
2. **OUT BUTTON** - Used to set the ending point when looping. When the **OUT BUTTON** is pressed, the player will play the loop continuously. To exit the loop, press the **OUT BUTTON** again.
3. **IN BUTTON** - This button sets the loop start point
4. **SHUTTLE WHEEL** - (OUTER RING) This wheel has 6 forward and 6 reverse speed positions for searching through songs. The more you turn the wheel in either direction the faster you search through the music.
5. **JOG WHEEL** - (INNER RING) This jog wheel serves two functions depending on the mode you are working in.
 - a. The jog wheel will act as a slow frame search control when the CD is not playing but either paused or set to a cue point. To set a new frame cue point, spin the wheel then press **PLAY (9)** when you have determined the proper position. Press **CUE (7)** to return to the "CUE POINT".
 - b. It also works as a pitch bend, when you turn clockwise the pitch will rise to 16%, and when you turn counterclockwise it will fall to -16%. The pitch bend is determined on how fast you turn the wheel.
6. **TRACK BUTTON** - This button is used to select a BACK SKIP track to be played.
7. **CUE** - Pressing the **CUE BUTTON** during play provides a return to the position at which play was started. If PAUSE is used before CUE or a CUE POINT was set, that will become the cue point. Alternately pressing the PLAY button and the **CUE BUTTON** allows the CD to be played from the same position any number of times. The CUE LED will light up from the time the Cue button is pressed until the CD has reset to the position at

FUNCTIONS AND CONTROLS CONT.

which play was started. Steady lighting of this LED indicates the ready condition. The CUE button can be held down to play a CD. When you release the **CUE BUTTON** it instantly returns to the CUE POINT.

8. **▶▶ TRACK BUTTON** - This button is used to select a Forward Skip track to be played.
9. **PLAY/PAUSE BUTTON** - Each press of the **PLAY/PAUSE BUTTON** causes the operation to change from play to pause or from pause to play.
10. **+10 BUTTON** - This button is used to access tracks in increments of 10 i.e., If your on track 11 and press the **+10 BUTTON** you would go directly to track 21 (if 21 tracks are available) and so on.
11. **PITCH SLIDER** - The pitch can be changed from (+/- 8%), (+/- 12%) or (+/- 16%). Press the **PITCH BUTTON (18)** until the PITCH LED is lit, then move the **PITCH SLIDER**. The pitch will not be changed if the PITCH LED is off. Pitch percentage (%) can be changed by holding the **PITCH BUTTON (18)** and pushing the **plus (+) BUTTON (14)** to change the percentage (%) selection.
12. **RELOOP BUTTON** - If a LOOP has been made, but the CD Player is not actively in LOOP mode, press the **RELOOP BUTTON** to reactivate the LOOP. RELOOP will appear in the **LCD DISPLAY (13)**. To exit loop, press the **OUT BUTTON (2)**.
13. **LCD DISPLAY** - Indicates all the functions, as they are occurring, with the CD. •The LCD will flash when in sleep mode - This is not a malfunction.
14. **(+) & (-) PITCH BEND Button** - When each of the two CD players is playing a CD, the pitch bend function allows the positioning of the bass beats to be matched after the pitch of each disc is matched. Either player can “catch up” or “fall back” to match the other player. The pitch will automatically rise when the **(+) BUTTON** is pressed (allowing “catch up”) and return to the original pitch when the button is released. The pitch will automatically drop when the **(-) BUTTON** is pressed (allowing “fall back”) and return to the original pitch when the button is released. By changing the pitch of one disc with respect to the other in this way the beats can be matched.
15. **SGL/CTN** - You can choose between a single track to play or all tracks in order by pressing once or twice.
16. **TIME BUTTON** - The **TIME BUTTON** switches between ELAPSED TIME, REMAINING TIME and TOTAL REMAINING TIME, the current function will be displayed in **LCD DISPLAY (13)**.
17. **PROGRAM** - Depress this button to stop the CD and enter the program mode. Note the word “PROGRAM” is indicated on the display. Select each track to be programmed with the forward and back **SKIP BUTTONS (2 & 3)** and press the **PROGRAM BUTTON** between selections. You can program up to 30 tracks. Press **PLAY (9)** to start the program. To exit and erase program mode hold the program button down for more than two seconds while the unit is stopped, open the disc tray, or turn off the power.
18. **PITCH** - (+/- 8%), (+/-12%), (+/-16%) This button activates the **PITCH SLIDER (11)**. Select percentage of pitch by holding the **PITCH BUTTON**. When pitch LED is lit, press down the **PITCH BUTTON** and tap the **(+) BUTTON (14)** until desired pitch percentage (%) is reached. Move the pitch slider to the top or the bottom position to view the current setting.
19. **DISC TRAY** - Press the **OPEN/CLOSE BUTTON (1)** to open and close the disc tray. Place CDs in the tray.
20. **POWER SWITCH (Main power On/Off)**
21. **CONTROL JACK** - Use this jack to connect a mini plug from the Pro DJ1 player to a compatible American DJ “Q Deck” mixer to activate the “Fader Q Start” function. (See “Q” Start Control on page 6 sec. e)
22. **DIGITAL OUTPUT JACK** - Use this jack to connect the digital output signal of Pro DJ1 to a Mixer, DAT, or any piece of equipment that accepts a digital in signal.
23. **AUDIO OUT** - Left and Right audio output. Connect RCA cables from **AUDIO OUT** to a mixer input.
24. **VOLTAGE SELECTOR** - Select which voltage desired: 115V or 230V. Always disconnect the power plug before changing the voltage.
25. **POWER CONNECTOR/FUSE** - IEC Power Connector with built-in fuse holder. Always replace with the same type fuse.
26. **PLAY INDICATOR (▶)** - The PLAY indicators light during playback.
27. **PROGRAM INDICATOR** - This lights when program is selected or program play is selected.
28. **SINGLE INDICATOR** - This indicates that the player is in single play mode. Playback will stop and cue at the beginning of the next track.
29. **LOOP INDICATOR** - This indicator will flash when loop is engaged.
30. **RELOOP INDICATOR** - Displays when LOOP is engaged. LOOP flashes in **LCD DISPLAY (13)** when playing loop.
31. **PITCH INDICATOR**- Lights when **PITCH (18)** is engaged.
32. **PITCH DISPLAY** - Displays the percentage of pitch adjustment, according to the **PITCH FADER (11)**.
- 33-35. **MINUTE, SECOND, & FRAME INDICATORS** - Displays the running time of the current track (Elapsed, Total, Remaining).
36. **TRACK INDICATOR** - Displays which TRACK is being played.
37. **PAUSE INDICATOR (■ ■ ■)** - The PAUSE indicators will light during pause or cue mode.

PREPARATIONS

1. Checking the Contents

Check that the carton contains the following items:

- 1) Main unit.
- 2) Operating instructions (this booklet).
- 3) A pair of RCA cables.
- 4) IEC power cord

2. Installing the Units

Mount the unit onto your console or place it on a flat surface

3. Connections

- 1) Be sure the power switch is off before making any connections.
- 2) Connect the RCA cables from your PRO DJ1 to the inputs on your mixer.
- 3) Connect a cable via the mini jack connector on the PRO-DJ1 to a mini jack connection (A or B) on a compatible *American DJ* "Fader Q Start" mixer. (This will enable the Fader "Q" Start function - See "Q" start control pg.7)

CAUTION:

- Be sure to use the supplied control cables. Using other types of cable may result in unit damage.
- Be sure the power is off when connecting the control cables, otherwise the units may not work properly.

CAUTION:

- The player will work normally when the main unit is mounted with the front panel within 15 degrees of the vertical plane. If the unit is tilted excessively, discs may not be loaded or unloaded properly. (Figure 2a)



Fig. 2a

CAUTION:

- The LCD is designed to be clearly visible within the angles shown in **Figure 2b**. Mount the control unit so that the visual angle is within this range.

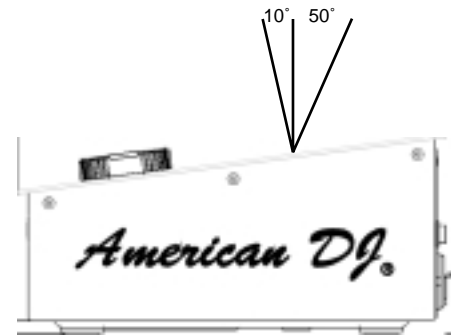


Fig. 2b

GENERAL NOTES ON USE

- Avoid operating at high temperatures.
- Allow for sufficient heat dispersion when installed on a rack or case.
- Handle the power cord carefully.
- Hold the plug from the ends when unplugging the cord. **Never pull the plug out from the cable.**
- Keep the set free from moisture, water, and dust.
- Unplug main power when not using the unit for long periods of time.
- Do not obstruct the ventilation holes. (For units with ventilation holes.)
- Do not let foreign objects enter into the unit.
- Do not let insecticides, benzene, or thinner come in contact with the unit.
- Never disassemble or modify the unit in any way.

MAIN FEATURES

- | | |
|---|--|
| (1) 8 times over sampling 1 bit D/A converter | (11) 60 seconds transport protection (b) |
| (2) Auto cue | (12) CD Recordable (CDR) compatible |
| (3) 1/75th second frame search | (13) Flip-Flop, Relay Playback when used in pairs (c) |
| (4) Realtime cue ("Cue on the Fly") | (14) +/- 8%, 12%, 16% selectable on Pitch Slider |
| (5) 6 different speed scan | (15) Sleep Mode after 15 min. (a) |
| (6) Pitch display | (16) Jog Wheel Pitch Bend +/- 16% |
| (7) 30 programmable tracks | (17) Memory Backup, Default to last setting (d) |
| (8) Digital output RCA coaxial | (18) Instant Start |
| (9) Fader "Q" Start Function, controls play and stop function via a compatible ADJ "Q Deck" mixer. (e) | (19) Light weight and compact design. |
| (10) Large bright LCD Screen can be viewed from wide angles. | |

- (a) **SLEEP MODE PROTECTION:** After 15 minutes in **PAUSE** or **CUE** Mode the CD drive mechanism will automatically go in to sleep mode. This function shuts down the laser pick-up diode extending the life of the unit. During sleep mode the LCD screen will flash repeatedly indicating sleep mode is activated - This is not a malfunction, to restart the drive simply press the Cue or Play/Pause Buttons
 - (b) **60 SECOND TRANSPORT PROTECTION:** Will automatically close transport if left open for more than 60 seconds to prevent someone from walking by and breaking the transport.
 - (c) **FLIP-FLOP:** On the rear of the PRO DJ2 there is a control input jack, use a standard stereo mini plug to plug in one PRO DJ1 to another, via the control jacks. Set both of the CD players to single play mode. Play Disc 1, Disc 2 will immediately begin to play when the track ends on disk 1. Disc 1 will return to cue mode and will begin to play at the end of disc 2 track. This function will continue until the jacks are disconnected but may be overridden at any time through manual operation.
 - (d) **Memory Backup:** This will automatically save your last setting (SGL, CTN) even if you unplug AC- current.
 - (e) **“Q” Start Control:** This feature is used with American DJ “Q-Series” mixers featuring Fader Q Start. Connect a standard American DJ mini plugs, from CD1 output on CD player to the “A” player control input on the rear of mixer. Then connect the other mini plug from CD 2 output on CD player to the “B” player control input on the rear of mixer. By moving the mixer fader from left to right you can start and pause Disc1 and Disc 2 respectively. In other words, when the cross-fader of the mixer is to the left, and you move it 20% to the right, Disc 2 will begin to play. When the cross-fader is to the right, and you move it 20% to the left, Disc 1 will begin to play. You can create great effects similar to scratching with this feature. “Q” Start control is easy to use and mastering this feature will help you become a better DJ.
- 1. OPENING AND CLOSING THE DISC TRAY AND LOADING DISCS**
- This operation only works when the power is on.
 - Press the **OPEN/CLOSE BUTTON (1)** to open or close the disc tray, or, Press **PLAY BUTTON (9)** to close

BASIC OPERATIONS

the tray automatically when it is open.

- If the tray is not closed after 60 seconds it will close automatically and go into pause mode.
- The disc trays cannot be opened during playback to prevent playback from being interrupted if the **OPEN/CLOSE BUTTON (1)** is pressed accidentally. Stop playback, then press the **OPEN/CLOSE BUTTON (1)**

2. LOADING DISCS

- Hold the disc by the edges and place it in the disc tray. Do not touch the signal surface (the glossy side).
- When using 5 inch/12 cm discs, place the disc in the outer tray guides and when using 3 inch/8 cm discs, place them securely in the inner guides.

CAUTION:

- **Do not place any foreign objects in the disc tray, and do not place more than one disc in the disc tray at a time. Doing so may result in malfunction.**
- **Do not push the disc tray in manually when the power is off, as this may result in malfunction and damage the player.**

3. SELECTING TRACKS

- Press the **TRACK BUTTONS (2/3)** once to move to one higher or lower track or
- Hold the **TRACK BUTTONS (2/3)** in to change tracks continuously at a higher speed.
- When a new track is selected during playback, playback begins as soon as the search operation is completed.

4. STARTING PLAYBACK

- Press the **PLAY/PAUSE BUTTON (9)** during the pause or cue to start playback.
- The **PLAY INDICATOR (26)** lights when playback starts.
- The point at which playback starts is automatically stored in the memory as the cue point. The pickup then returns to the cue point (the point at which playback started) when the **CUE BUTTON (7)** is pressed.

5. STOPPING PLAYBACK

- There are two ways to stop playback.
 - 1) Press the **PLAY/PAUSE BUTTON (9)** during playback to pause at that point.
 - 2) Press the **CUE BUTTON (7)** during playback to return to the position at which playback started.

6. PAUSING

- Press the **PLAY/PAUSE BUTTON (9)** to switch between play and pause.
- The **PAUSE INDICATOR (37)** lights when the pause mode is set.

7. CUEING

- “Cueing” is the action of preparing for playback. When the **CUE BUTTON (7)** is pressed, playback returns to the cue point and enters pause mode. When the **PLAY/PAUSE BUTTON (9)** is pressed during the cue mode, playback starts.

BASIC OPERATIONS CONT.

- **CUE POINT SETTING:**

- A. Playback starts from pause or skip to a new track during play or pause. The beginning play point will be set to the cue point.
- B. Or, Press the **IN BUTTON (5a)** button during playback to set the new cue point.

8. AUTO CUE

- When disk is loaded, the cue point is set to the first source of music. If track is changed before pressing play, the CUE POINT is changed to the new starting point. If you pause during playback this also sets the new CUE POINT.

9. FRAME SEARCH

- This is done by first pausing then using the jog wheel to set the starting point. (When you use the jog wheel the monitor function allows you to hear what is playing. Once you have set starting point press PLAY then CUE to again mute output.)

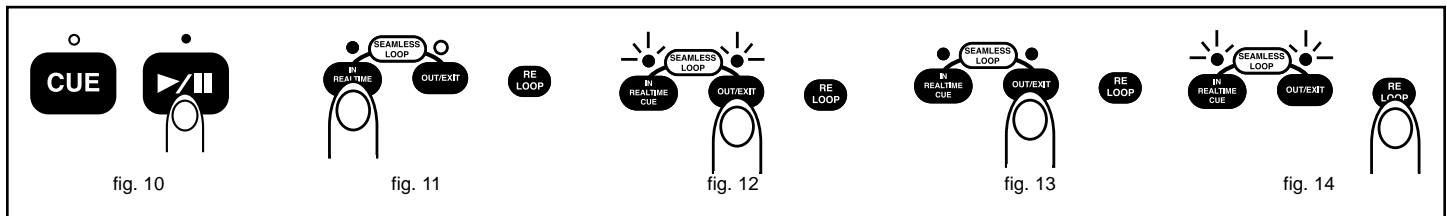
10. SCANNING (FAST FORWARD / FAST REVERSE)

- To do this rotate Shuttle wheel forward or reverse. You can scan or reverse in 6 different speeds depending on how much you rotate the wheel.

11. LOOP PLAY

- You can create a loop between two points.
 - (1) Press **PLAY/PAUSE BUTTON (9)** so a CD is playing. The **PLAY/PAUSE BUTTON (9)** LED lights (figure 10).
 - (2) Press **IN BUTTON (3)**. This sets the starting point of the LOOP. The **IN BUTTON (3)** LED will light (figure 11).
 - (3) Press **OUT BUTTON (2)** to set desired ending point of the LOOP. You will know you are in LOOP mode because **IN BUTTON (3)** and **OUT BUTTON (2)** LEDs will light and flash. **LOOP INDICATOR (29)** in **LCD DISPLAY (13)** will also flash (see figure 14).
 - (4) To exit the LOOP, press the **OUT BUTTON (2)**. LEDs will stay on but not flash. Music will resume normal play (figure 13).
 - (5) To replay loop, press the **RELOOP BUTTON (30)**.

NOTE: When play starts via pause or track skipping or scanning, the CUE POINT will change to the start point automatically. LOOP INDICATOR (29) in LCD DISPLAY (13) will all begin flashing again (figure 14).



12. EDITING A LOOP: NOTE: YOU CAN ONLY EDIT THE ENDING PART OF THE LOOP.

- (1) **You must be in LOOP mode.** If a LOOP has not been created, follow instructions in step 11 for creating a LOOP. If a LOOP has already been created and you wish to edit it, press **RELOOP BUTTON (12)** to reenter the LOOP mode (figure 14).
- (2) Next, press **OUT BUTTON (2)** to return to normal play (figure 13). This disengages the LOOP mode.
- (3) Press **OUT BUTTON (2)** again for new desired ending point of the loop (figure 13).
 - **FOR SHORTER LOOP:** press **OUT BUTTON (2)** quickly.
 - **FOR LONGER LOOP:** Wait until the song plays several frames, then press **OUT BUTTON (2)**.

13. TIME DISPLAY

- During normal play, each time you press the **TIME BUTTON (16)**, the display changes to give you the following information (see figure 1, LCD screen).
 - (1) ELAPSED playing time
 - (2) REMAINING time of a track. If the current track number is over 34, “.....” is displayed.
 - (3) TOTAL remaining time of the disc.

BASIC OPERATIONS (CONT.)

14. PITCH BENDING

- The speed increases or decreases respectively when the **(+) PITCH BEND BUTTON (14)** or **PITCH BEND (-) BUTTON (14)** is pressed. The extent to which the speed changes is proportionate to the amount of time the button is pressed. For example, if the **PITCH BEND (+) BUTTON (14)** is held in continuously, the speed increases continuously.
- The pitch can be changed from range. See changing **PITCH PERCENTAGE (17)**.
- The jog wheel will temporarily bend the pitch of the music if the song is already playing. Rotate the wheel clock-wise to speed up or counterclockwise to slow down. The speed that you rotate the inner **JOG WHEEL** determines the percentage (%) of the **PITCH BEND**.

15. PROGRAM PLAY

- (1) Press the **PROGRAM BUTTON (17)** to make the unit enter the program mode in stop position. The **PROGRAM INDICATOR (27)** LED above the **PROGRAM BUTTON (17)** will light as well as the **PROGRAM INDICATOR (27)** on the **LCD DISPLAY (13)**.
- (2) Select a Track by using the **TRACK BUTTONS (6/8)**, then press the **PROGRAM BUTTON (19)** again.
- (3) Repeat this up to 30 times (ie. up to 30 tracks can be programmed). If you keep pressing the **PROGRAM BUTTON (17)** the **LCD DISPLAY (13)** will display the tracks that have been programmed.
- (4) Press the **PLAY BUTTON (9)** to begin playing programmed tracks.
- (5) To cancel the program function press and hold **PROGRAM BUTTON (17)** for more than 2 seconds.

BEFORE SWITCHING OFF THE POWER

1. PRECAUTIONS ON HANDLING COMPACT DISCS

- Keep fingerprints, oil and dust off the surface of the disc. If the disc is dirty, wipe it off with a soft dry cloth.
- Do not use benzene, thinner, water, record spray, electrostatic-proof chemicals, or silicone-treated cloths to clean discs.
- Always handle discs carefully to prevent damaging the surface; in particular when removing a disc from its ends
- Do not bend the disc.
- Do not apply heat.
- Do not enlarge the hole in the center of the disc.
- Do not write on the label (printed side) with a hard tipped instrument such as a pencil or ball point pen.
- Condensation will form if a disc is brought into a warm area from a colder one, such as outdoors in winter.
- Do not attempt to dry the disc with a hair dryer, etc.

2. PRECAUTION ON STORAGE

- After playing a disc, always unload it from player.
- Always store the compact disc in the jewel case, protecting from dirt or damage.
- Do not place discs in the following areas:
 - a) Areas exposed to direct sunlight for a considerable time.
 - b) Areas subject to accumulation of dust or high humidity.
 - c) Areas affected by heat from indoor heaters, etc.

COMPACT DISCS

CDS LEFT IN PLAYER

- If a CD is left in the player and the remote has been disconnected, plug power cable in, turn on power and take out CD. • When you have finished using the CD player, and before switching off the power, be sure that the disc holder has been closed with the **OPEN/CLOSE BUTTON (1)**.
- **TRAY PROTECTION:** If tray is not closed after 60 seconds, it will close automatically and pause.
- **Do Not** switch off the power when the disc holder is open.
- Switch off the power only after the disc tray has been closed with the **OPEN/CLOSE BUTTON (1)**.

SPECIFICATIONS

GENERAL:

| | |
|---------------------------|---|
| Type: | Twin mechanism compact disc player with wired controller. |
| Disc type: | Standard compact discs (5 in / 12cm and 3in/8cm discs) |
| Dimensions: | Player unit: 19"(W) x 3 15/32" (H) x 9 55/64" (D) |
| Installation: | Table-top mount |
| Weight: | 6 lbs. / 2.4 kgs |
| Power supply: | 110~120v/220~240v AC, 50/60Hz |
| Power consumption: | 25W |
| Environmental conditions: | Operational temperature: 5 to 35°C (41 to 95°F) Operational humidity: 25 to 85% (no condensation) Storage temperature: -20 to 60°C (4 to 140°F) |
| Disc Loading: | Front loading |
| Display: | 1 digital LCD display, 8 LED indicator |

AUDIO SECTION:

| | |
|-------------------------|------------------------------|
| Quantization: | 16 bit linear per channel |
| Sampling rate: | 44.1 kHz at normal pitch |
| Over sampling rate: | 8 times 1 BIT D/A converter |
| D/A conversion | 16 bit |
| Frequency response: | +/- 1 dB 20 Hz to 20,000 KHz |
| T.H.D.:* | 0.05% |
| Signal to noise ratio:* | 78 dB |
| Channel separation:* | 78 dB |
| Output level: | 2.0V +/- 1dB |
| Load impedance: | 47k ohm or more |

* with 20KHz low pass filter

TECHNICAL FEATURES:

Variable pitch; +/-8%, +/-12% or +/-16%; accurate within +/- 0.1%
Pitch Bend; +/-16%
Search accuracy; 1/75 sec. (1 subcode frame)
Digital output RCA coaxial
Auto protection (after 15 minutes with no operating in pause mode, the laser diode will be turned off).

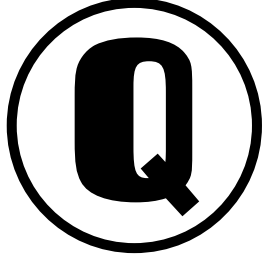
Specifications and design are subject to change without notice for purpose of improvement.

American DJ® AUDIO World Headquarters:
4295 Charter Street
Los Angeles, CA 90058 USA
Tel: 323-582-2650
Fax: 323-582-2610

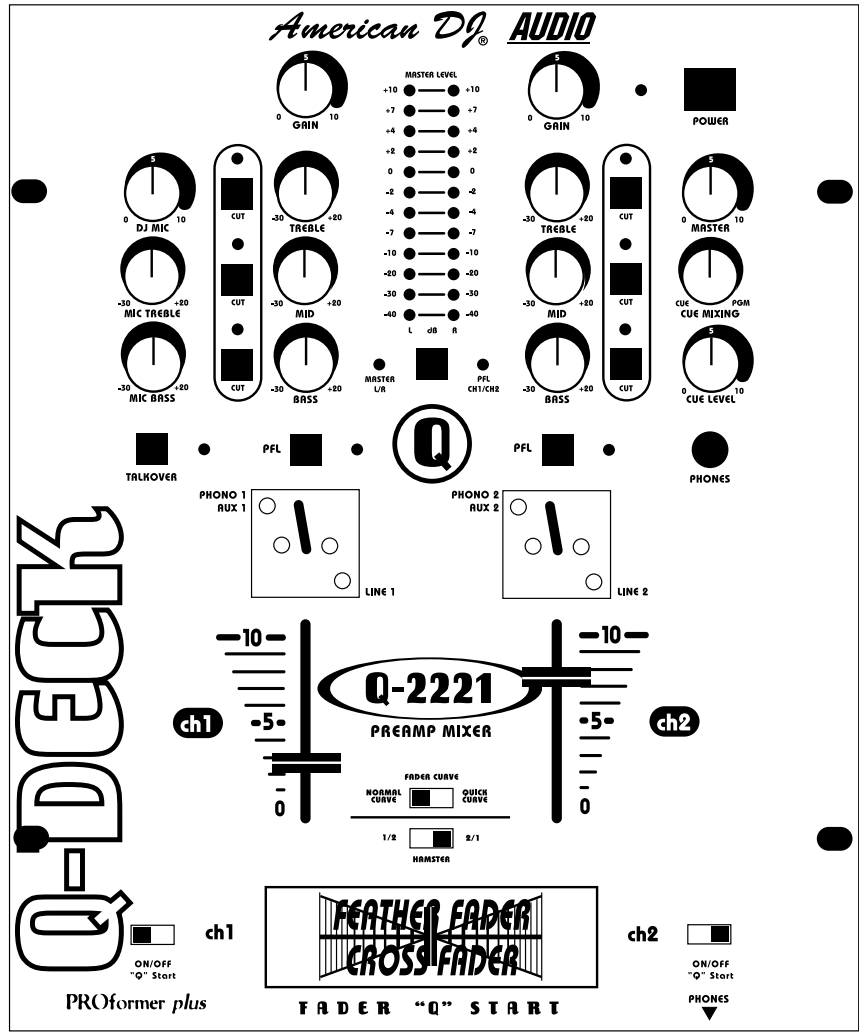
Web: www.americandj.com
E-mail: info@americandj.com
revised 8/99



American DJ **AUDIO**



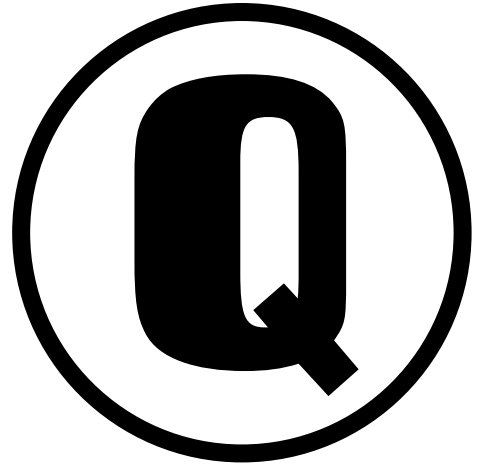
Q-2221 "Q-DECK"
USER INSTRUCTIONS



djs wanted.

Q-2221

“Q-DECK”



Featuring

Fader “Q” Start

Main Features

- 2 phono, 2 line, 2 auxiliaries, & 1 microphone input
 - Hamster Switch for changing cross fader position
 - 100% cut buttons for treble, mid and bass of each channel
 - Fader "Q" Start w/ On/Off switch (for use with the American DJ CD Players with Fader "Q" Start)
 - -30dB Rotary Kills for treble, bass & mids • Changeable transformer switch to up/down or left/right
 - Equipped with high quality Alps Feather Fader™ (FF-4) Crossfader(replaceable/made in Japan)
 - Fader Curve Switch - changes from a normal curve to a quick curve (for crabbing)
 - Separate gain control for each channel • Bass, mid & treble on microphone
 - High output to headphones • 2 separate headphone inputs
 - Soft-touch rubber knobs for better control
 - Super clean signal to noise ratio
-

professional products designed for the working dj.

Index

- Safety Instructions.....p.3
- Operating Determinations.....p.4
- Connections.....p.4
- Functions (Front Panel).....p.5-6
- Inputs & Outputs (Rear Panel).....p.6-7
- Replacing the Crossfader.....p.7
- Changing the Transformer Switch.....p.7
- Technical Specifications.....p.7
- Warranty & Service.....p.8

Thank you for purchasing this American DJ® product. The Q-2221 Is ready to be used, there Is no assembly required. Please read the following Instructions before installing or using your new unit. The Q-2221 has a 2 year limited warranty!

CAUTION! - Keep this device away from rain and moisture!

Safety Instructions

Always plug in the power last. Make sure that the Power switch is set to the OFF position before connecting other devices to the mixer.

Keep away from heaters and other heating sources!

If the device has been exposed to drastic temperature fluctuation (e.g. after transportation), do not switch on the mixer immediately. The arising condensation of water might damage your device. Leave the device switched off until it has reached room temperature.

Never put any liquids on the mixer or close to it. Should any liquid enter the device, disconnect from main power immediately. Have the device checked by a qualified service technician before operating again. Any damage caused by liquid entering the device is not subject to warranty!

Never let the AC cord come in contact with other cables! Handle the AC cord and all AC connections with particular care.

Make sure that the available voltage is not higher than stated on the AC voltage selector (29).

Before the device is switched on, all fader and volume controls should be set to 0 or minimum position.

Damages caused by manual modifications to the device or unauthorized operation by unqualified persons are not subject to warranty.

There are no user serviceable parts inside the mixer. For maintenance and/or service, contact an authorized American DJ® dealer.

Operating Determinations

When installing this mixer, please make sure that the device is not exposed to extreme heat, moisture or dust! There should not be any cables lying around. Doing so endangers you as well as others. Do not operate the mixer in extremely hot (more than 30° / 100°F) or extremely cold (less than 5°C / 40°F) surroundings. Keep away from direct sunlight and heaters.

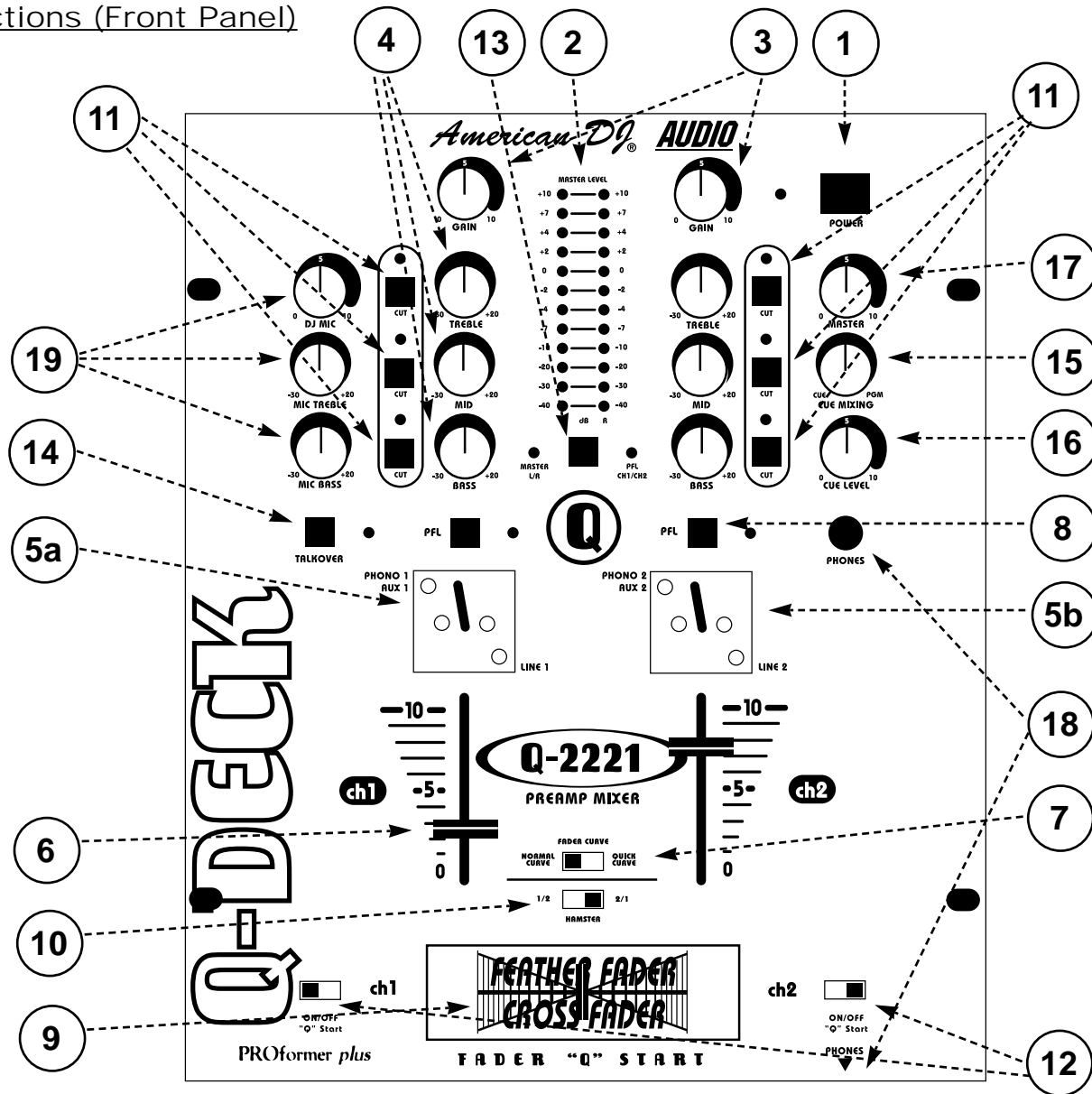
Operate the mixer only after becoming familiar with its functions. Do not permit operation by persons not qualified for operating the mixer. Most damages are the result of unprofessional operation!

Never use spray cleaners to clean the faders! Never use solvents or abrasive detergents to clean the mixer! It is recommended that you use a soft damp cloth. Please consider that unauthorized modifications on the device are forbidden due to safety reasons!

Connections (Refer to diagrams on pages 5 & 6)

- Make sure that the power switch (1) is set to OFF. Before connecting other devices to the mixer, all units have to be switched off and the Master Control (17) set to min.
- Make sure that the available voltage is not higher than stated on the voltage selector (29) before connecting to power.
- In order to obtain the highest sound quality, only use high quality American DJ®, Ameri-Cable™ cables for connecting devices. Make sure that the cables are properly fixed.
- Connect your amplifier to the MASTER OUT jacks (25). Make sure that the channels are set properly.
- For recording, connect your tape recorder or cassette deck to the OUTPUT REC jacks (24). The REC OUT level will not be influenced by the Master Control (17).
- Connect your microphone to the Microphone Input (26) on the rear panel (see diagram on page 4).
- The Q-2221 features one microphone input. The 1/4 inch (6.3mm) MIC JACK (26) on the rear panel. You can adjust the microphone volume output by turning the DJ MIC LEVEL (19) . DJ MIC TREBLE & BASS may be controlled by the BASS & TREBLE KNOBS (19) below the DJ MIC KNOB.
- You can connect 2 turntables using the LEFT & RIGHT RCA PHONO 1 (21) and PHONO 2 jacks (22) on the rear panel. You can only control the turntables signal after you have switched the PHONO /AUX SELECTOR SWITCH (23) on the rear panel to PHONO, plus you must change the PHONO/AUX/LINE SWITCH (5a, 5b) on the front panel to PHONO/AUX. The signal is then controlled via the CH-1 and CH-2 faders (6).
- Connect your tape recorder, tuner, sound effects, CD player, and cassette decks etc. to the LEFT & RIGHT RCA LINE signals (21, 22) to the AMP OUT jacks (21, 22) on the rear panel. The signal is then controlled via the CH-1 and CH-2 faders (6) when the PHONO/AUX/LINE SWITCH on the front panel (5a, 5b) to LINE . CD players, cassette decks etc. may also be connected to the LEFT & RIGHT RCA PHONO/AUX jacks (17, 18) on the rear of the unit. You can only control this signal after you have switched the PHONO / AUX SELECTOR SWITCH (23) on the rear panel to AUX, plus you must change the PHONO/AUX/LINE SWITCH (5a, 5b) on the front panel to PHONO/AUX. The signal is then controlled via the CH-1 and CH-2 faders (6).

Functions (Front Panel)



- (1) **POWER SWITCH** - Red LED will light when power is ON.
- (2) **MASTER LEVEL** - Dual LED's show the level of the left and right master output.
- (3) **GAIN CONTROL** - Used to set the level of the input signal for its designated channel.
- (4) **BASS/MID/TREBLE CONTROL** - Used to increase or decrease the LOW's, MID's, and HI's of the input signal. The Q-2221 features "Rotary Kills" with -30dB to +20db input control.
- (5a) **CHANNEL 1 TRANSFORMER SWITCH (CHANGEABLE)** - Used to select the input to be sent to channel 1. TRANSFORMER SWITCH may be used up/down or left/right. To change the switch, see diagram on page 7.
- (5b) **CHANNEL 2 TRANSFORMER SWITCH. (CHANGEABLE)** - Used to select the input to be sent to channel 2. TRANSFORMER SWITCH may be used up/down or left/right. To change the switch, see diagram on page 7.
- (6) **CHANNEL FADER** - Used to adjust the output level of each channel.
- (7) **FADER CURVE SWITCH** - Changes Feather Fader™ Crossfader from a NORMAL CURVE to a QUICK CURVE (used for crabbing).
- (8) **PFL/CUE BUTTONS** - Use the PFL (Pre-Fader Levels)/CUE button to engage the input level of each channel.
- (9) **FEATHER FADER™ CROSSFADER** - Mixes the signals of channel 1 and channel 2. When the crossfader is set in the center position, both channels can be heard at once.

Inputs and Outputs Rear Panel) Cont.

(19) DJ MICROPHONE LEVEL / DJ MIC TREBLE CONTROL / DJ MIC BASS CONTROL - The DJ MIC LEVEL CONTROL adjusts the microphone volume output level. The DJ MIC TREBLE CONTROL and DJ MIC BASS CONTROL under the DJ MICROPHONE are used to adjust treble and bass of the DJ MICROPHONE.

(20) GND (GROUND TERMINALS) - Connect the ground lead of the turntables with this terminal. This helps to reduce humming and popping noises. There are two convenient ground terminals located on the rear of the mixer.

(21), (22) LINE / PHONO / AUX INPUT JACKS - Input jack for CH-1, and CH-2. Connect turntables equipped with MM pickup cartridge to PHONO inputs. CD players or Tape Decks should be connected to LINE input. Line level musical instruments with stereo outputs such as Rhythm Machines or Samplers should also be connected to LINE inputs. CHANNEL 1 (21) features left and right RCA inputs for LINE 1 and PHONO 1 / AUX 1. CHANNEL 2 (22) features left and right RCA inputs for LINE 2 and PHONO 2 / AUX 2. Other inputs (ie. CD players) may also be used in the PHONO/AUX RCA jacks(21, 22) when the PHONO/AUX SELECTOR SWITCH (23) is set to AUX.

(23) PHONO / AUX SELECTOR SWITCH - Changes phono to an extra line; allows the DJ to use a CD player or other input device in the same line as the phono line. When using a turntable select PHONO, and when using other input devices select AUX. PHONO/AUX lines can be used with LINES 1 and 2. The PHONO /AUX SELECTOR SWITCH gives the DJ the possibilities of 4 inputs lines (ie. 4 lines CD, tape etc.; or 2 lines CD, tape etc. and 2 phono lines).

(24) REC OUT - Connect to your record unit. The REC OUT level is not influenced by the master control (17).

(25) MASTER OUT - Parallel output of P.A. output. Connect with the input of a power amplifier.

(26) MIC JACK - Connect your microphone with 1/4 inch (6.3mm) jack plug here. The signals may be controlled by the DJ MIC CONTROL KNOB (19). BASS & TREBLE can be adjusted by the DJ MIC BASS CONTROL KNOB (19) and the DJ MIC TREBLE CONTROL KNOB (19).

(27) FUSE - Fuse holder. Only replace the fuse when the device is disconnected from main power supply. Only replace with fuses of the same power and rating.

(28) AC CONNECTION - Standard IEC plug with detachable AC power cord.

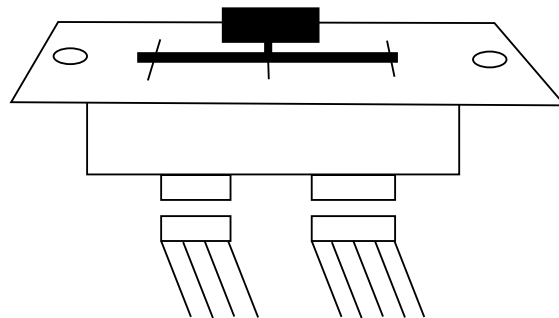
(29) AC VOLTAGE SELECTOR - Select between 115V/50Hz or 230V/60Hz. Make sure that the selector is set to the proper voltage you are using.

(30) PLAYER CONTROL - Input mini plugs from CD player controller into these jacks, input CD 1 into jack A and CD 2 into jack B.

(31) LIGHT CONTROL - Buffered audio output for light controllers that can use external input. Great for Touch Panels and Chase Controllers.

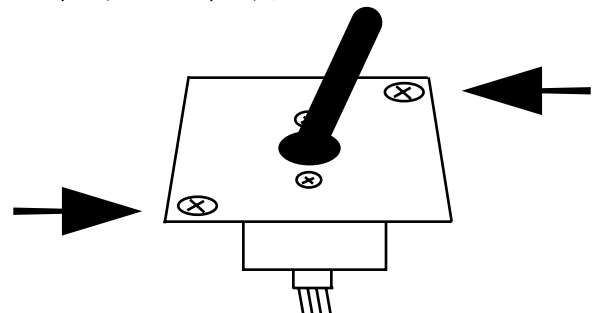
Replacing the Crossfader

- Disconnect from main power supply
- Remove the fader knob.
- Remove the two outer screws.
- Take the fader out and unplug the connection cables.
- Connect the new fader and replace back into mixer.



Changing the Transformer Switch

- Disconnect from main power supply.
- Unscrew 2 larger Phillips screws (see arrow on diagram at the right).
- Move switch to desired position.
- Reinstall screws.



Technical Specifications - model Q-2221

Inputs:

Line: 75mV, 3k Ohm • **Microphone:** 2.5mV, 600 Ohm • **Phono:** 1.5mV, 47k Ohm

Output: **Line:** 25V, peak to peak • **Headphones:** 5W @ 47 Ohm • **Distortion:** <0.03%

Signal-To-Noise Ratios:

Line: Better than 85dB • **Microphone:** Better than 78dB • **Phono:** Better than 80dB

Frequency Response:

Line: 20Hz - 15KHz, ± 0.5dB • **Microphone:** 20Hz - 20KHz, ± 0.5dB

Channel EQ:

Bass / Mid /Treble: -30dB - +20dB

Talkover Attenuation: - 15dB

Microphone EQ: **Bass:** -30dB/+12dB @ 100Hz • **Treble:** -30dB/+12dB @ 10kHz

Headphone impedance: 16 Ohms

Power supply: AC 115/230V, 50/60Hz switchable

Power Consumption: 5W typical, 7W w/ full headphone output

Dimensions: 12.5" W x 10.25" D x 4" H / 252 x 305 x 102 mm

Weight: 8 lbs. / 3.5 kg

American DJ® AUDIO
4295 Charter Street
Los Angeles, CA 90058 USA
www.americandj.com

Warranty & Service

The Q-2221 has a 2-year limited warranty. Mail in warranty card as soon as possible.

For Service, contact your local American DJ® Dealer.